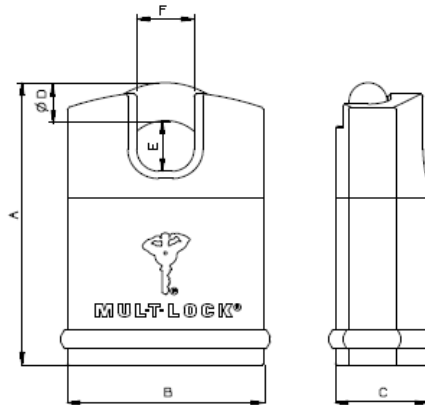


E - Series Closed Shackle Padlocks



MUL-T-LOCK®

www.mul-t-lock.co.uk



Padlock	Body			Shackle			CEN
	A	B	C	D	E	F	Standard
E8-H	87	52	33	8	16	16	4
E11-H	97	62	34	11	18	17	5
E14-H	105	72	34	14	19	21	6
E18-H	120	83	39	18	27	25	6+

Application:

A high security closed shackle padlock, for use in commercial, Industrial and residential applications.

Specification:

Body: Hardened Steel
 Shackle: Hardened boron alloy steel
 Finish: Black electrophoretic

Features:

- Pop open shackle with retaining key
- Variety of shackle sizes - 8, 11, 14, 18
- Coloured band for ease of identifying size
- Double ball bearing locking mechanism
- Highly pick and drill resistant
- Protective shutter preventing dust ingress



Additional Features:

Coloured band for ease of identifying size:

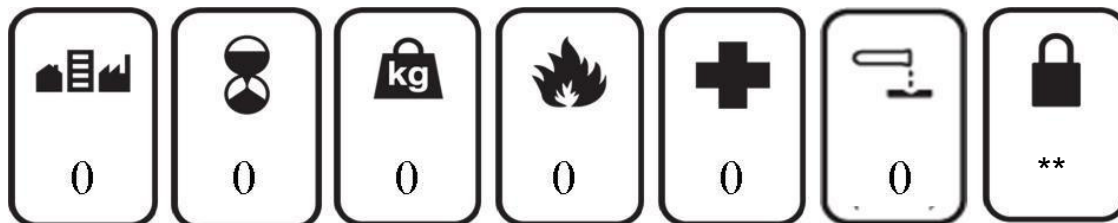
- E 8mm - Yellow
- E 11mm - Green
- E 14mm - Red
- E 18mm - Blue

Variants:

- Available on the following cylinder platforms:
- Integrator
- MT5
- Interactive
- Can be supplied keyed differ, keyed alike or master keyed with other cylinders and padlocks

Standards:

CEN Rating - See chart (Page 1)



** See page 1 for individual standard grade